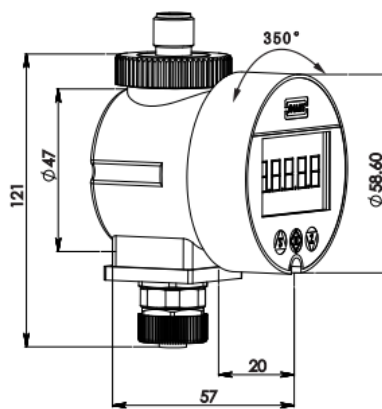
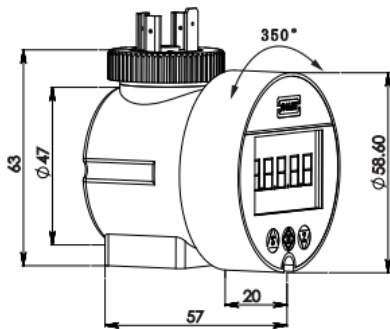


Product introduction :

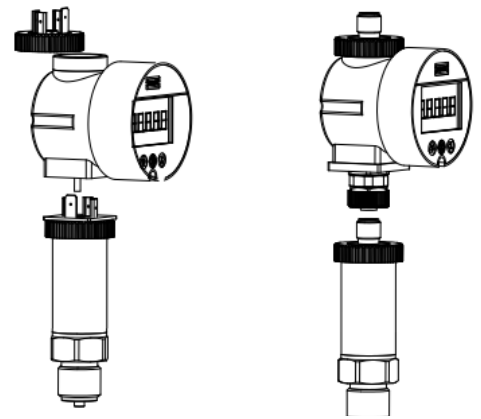
- Backlight big screen,350°rotation angle
- 30 more display units,flexible 3 buttons setting
- 24 bits high precision ADC sampling, lightning protection(4KV)
- Optional on-off alarm output, display and control integration
- Suitable for 4-20mA transmitters site display and on-off alarm output



Dimensions (mm)



Installation Instruction



Detail parameters

Basic parameters	
Applications	Process variable,4-20mA current value or percentage site display Up to 2 independent switch output
Input signal	4-20mA two wire
Power supply	4-20mA two wire loop power supply, max pressure drop 8VDC
Output signal	4-20mA two wire signal loop output for option
Site operation	3 buttons, all parameters can be modified at site
Warranty	12 months under normal use

Display parameters	
Site display	Double row 5 bit/8 bit, 7 section/16section with backlight LCD display -19999-99999
Accuracy class	0.1%F.S, ±1bit
ADC sampling	24 bits

Switch parameters	
Output	Independent of 4-20 mA two wire circuits
Switch quantity	1 way PNP, standard configuration Max 2 way PNP for option
Switch settings	0-100% for option
Switch state	Normally open,normally closed for option
Switch function	High setting, low setting, window function, hysteresis function
Accuracy class	0.1%F.S
State indicate	Red or green LED display
Max. load	Continuous max load 120mA
Delay time	0-255ms for option
MAX.frequency	Top 10 times/s
Hysteresis setting	0-5% for option