

FLOAT TYPE LIQUID LEVEL CONTROLS

SLS SERIES SLS-1 – DIN43650 Housing
SLS-2 – Universal connector SV-1

– Quality Products – Vertical Mounted

Technical Data

Connection Thread and Wetted Parts Material: Guide tube: SS316; Float: P.P, PVDF, or SS316

Connection Type: Sanitary, PT, NPT, BSP; option available

Connection Size: 1" for max. $\varnothing 26$ mm float; 1¼" for max. $\varnothing 28$ mm float; 1½" for max. $\varnothing 40$ mm float; 2" for max. $\varnothing 49$ mm float

Limited Working Pressure: please refer to the float specification

Limited Working Temperature: please refer to the float specification

Switch Mode: SPDT

Setting Point: One float point or Two float points

Switch Rating:

Item Code	15	36
Contact Form	C (SPDT)	C (SPDT)
Switching Capacity Max.	60 W/VA	20 W/VA
Switching Voltage Max.	250V AC/DC	150V AC/DC
Switching Current Max.	1A	1A
Carrying Current Max.	2A	2A
Working Temperature	-20°C~+130°C	-20°C~+130°C
Suitable Float Size	float size > $\varnothing 49$ available Except $\varnothing 49$: 1 setting point only	all float size available

Housing: IP65

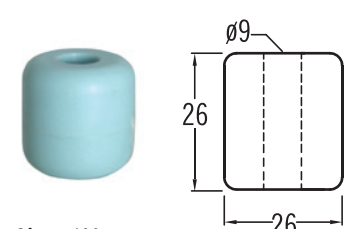
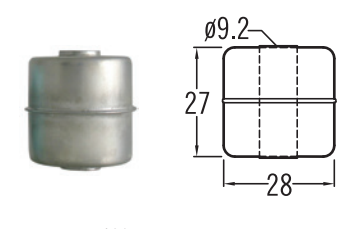
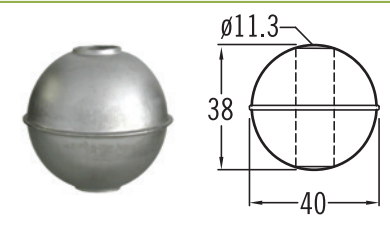
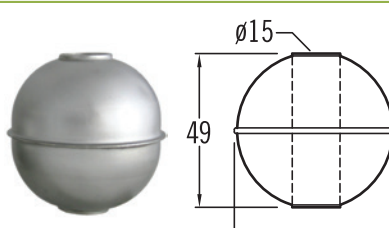
1. (EN60529) (DIN43650) for 3 plugs, for using two float point; cable gland (connection):

PG9 for connection size 1"~2".

2. Universal connector SV-1, EN175201-804 for 6 plugs, for using two float point; cable gland (connectoin):

M20 x 1.5 for connection size 1¼"~2".

Float Specification

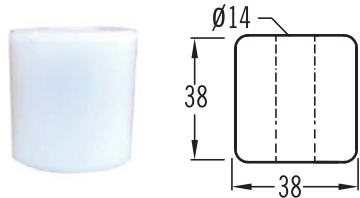
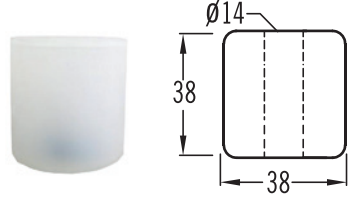
$\varnothing 26 \times 26$ mm (P.P)	$\varnothing 28 \times 27$ mm (SUS316)
 <p>Flow Size: $\varnothing 26$ Max. Working Pressure: 3 kg/cm² Working S.G.: ≥ 0.7 The Guide Tube Size: $\varnothing 8$ Material: P.P Limited Operating Temperature: 0~60°C</p>	 <p>Flow Size: $\varnothing 28$ Max. Working Pressure: 15 kg/cm² Working S.G.: ≥ 0.8 The Guide Tube Size: $\varnothing 8$ Material: SUS316 Limited Operating Temperature: -20 ~ 140°C</p>
$\varnothing 40 \times 38$ mm (SUS316)	$\varnothing 49 \times 49$ mm (SUS316)
 <p>Flow Size: $\varnothing 40$ Max. Working Pressure: 30 kg/cm² Working S.G.: ≥ 0.8 The Guide Tube Size: $\varnothing 9.5$ Material: SUS316 Limited Operating Temperature: -20 ~ 140°C</p>	 <p>Flow Size: $\varnothing 49$ Max. Working Pressure: 30 kg/cm² Working S.G.: ≥ 0.68 The Guide Tube Size: $\varnothing 12$ Material: SUS316 Limited Operating Temperature: -20 ~ 140°C</p>



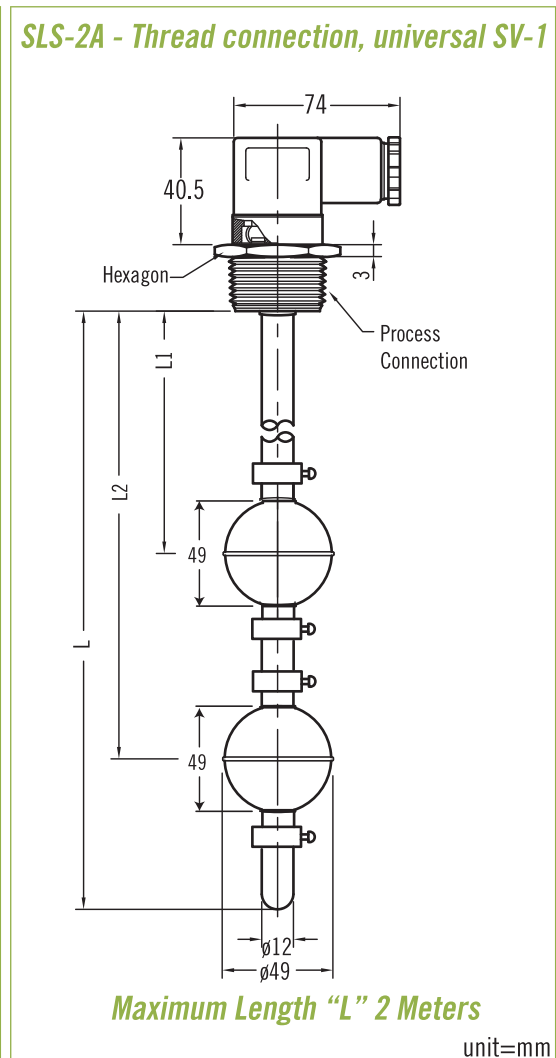
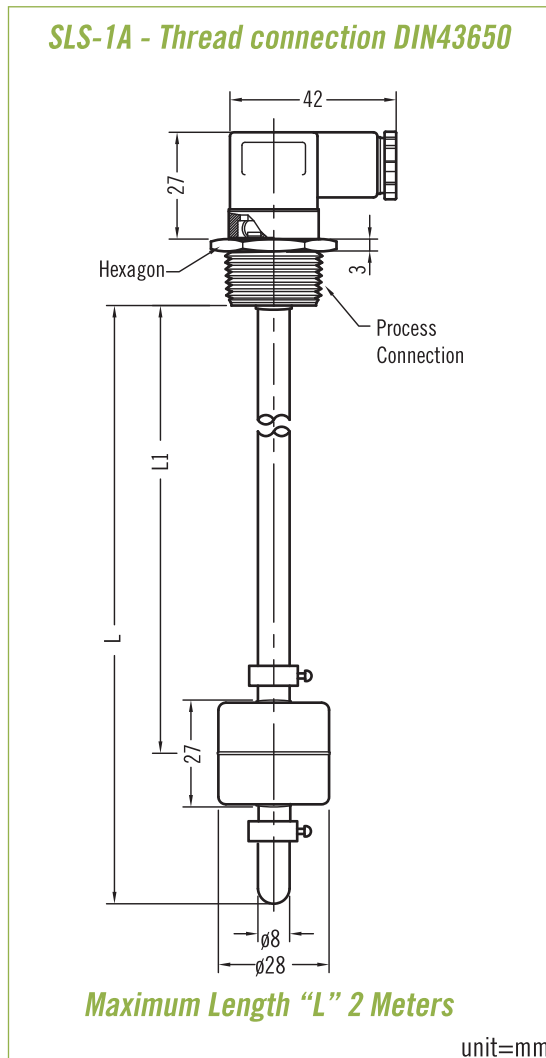
Thread connection Type

Sanitary Connection Type

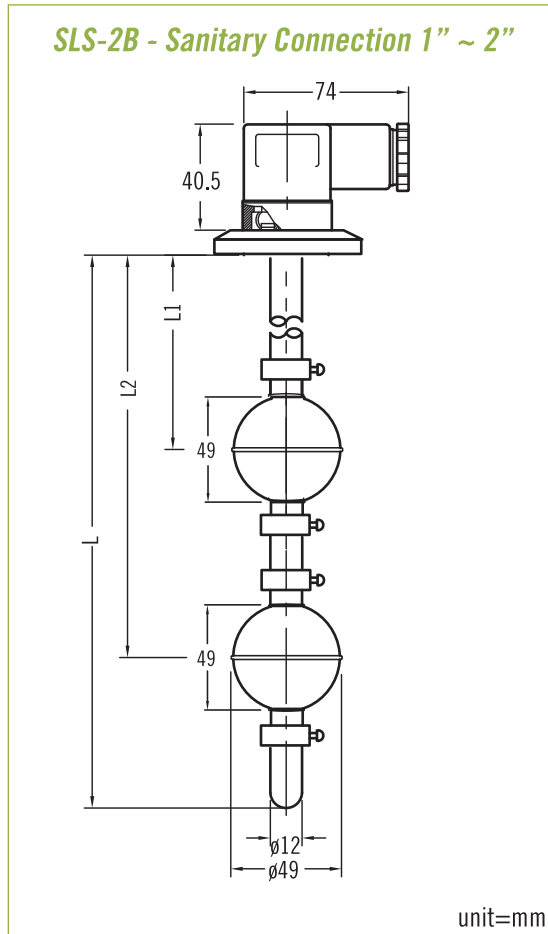
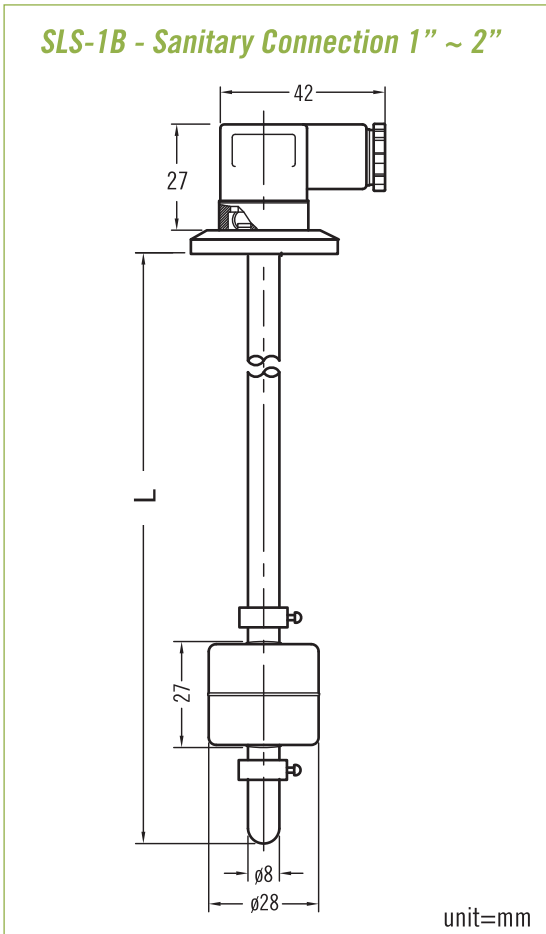
Float Specification

ϕ 38x38mm (P.P)	ϕ 38x38mm (PVDF)
 <p>Flow Size: ϕ 38 Max. Working Pressure: 3 kg/cm² Working S.G.: \geq 0.7 The Guide Tube Size: ϕ 12 Material: P.P Limited Operating Temperature: 0~60°C</p>	 <p>Flow Size: ϕ 38 Max. Working Pressure: 3 kg/cm² Working S.G.: \geq 0.7 The Guide Tube Size: ϕ 12 Material: PVDF Limited Operating Temperature: 0~60°C</p>

Dimensions



Dimensions



Ordering Information

SLS	Code	Model										
	1A	Thread Connection DIN43650										
	1B	Sanitary Connection DIN43650										
	2A	SV-1 Universal Thread Connection										
	2B	SV-1 Universal Sanitary Connection										
		<table border="1"> <thead> <tr> <th>Code</th> <th>Process Connection Size</th> </tr> </thead> <tbody> <tr> <td>1</td> <td>For 1", ϕ26mm float only</td> </tr> <tr> <td>2</td> <td>For 1¼", ϕ26 and ϕ28mm float</td> </tr> <tr> <td>3</td> <td>For 1½", $\leq \phi$40mm float</td> </tr> <tr> <td>4</td> <td>For 2", $\leq \phi$49mm float</td> </tr> </tbody> </table>	Code	Process Connection Size	1	For 1", ϕ 26mm float only	2	For 1¼", ϕ 26 and ϕ 28mm float	3	For 1½", $\leq \phi$ 40mm float	4	For 2", $\leq \phi$ 49mm float
Code	Process Connection Size											
1	For 1", ϕ 26mm float only											
2	For 1¼", ϕ 26 and ϕ 28mm float											
3	For 1½", $\leq \phi$ 40mm float											
4	For 2", $\leq \phi$ 49mm float											
		<table border="1"> <thead> <tr> <th>Code</th> <th>Process Connection Rating</th> </tr> </thead> <tbody> <tr> <td></td> <td>(A) NPT (B) BSP (C) Sanitary</td> </tr> </tbody> </table>	Code	Process Connection Rating		(A) NPT (B) BSP (C) Sanitary						
Code	Process Connection Rating											
	(A) NPT (B) BSP (C) Sanitary											
		<table border="1"> <thead> <tr> <th>Code</th> <th>Contact Form</th> </tr> </thead> <tbody> <tr> <td></td> <td>(1) SPDT (250V AC/DC) (2) SPDT (150V AC/DC)</td> </tr> </tbody> </table>	Code	Contact Form		(1) SPDT (250V AC/DC) (2) SPDT (150V AC/DC)						
Code	Contact Form											
	(1) SPDT (250V AC/DC) (2) SPDT (150V AC/DC)											
		<table border="1"> <thead> <tr> <th>Code</th> <th>Float Size</th> </tr> </thead> <tbody> <tr> <td></td> <td>(A) ϕ26 x 26 (P.P) (B) ϕ28 x 27 (SS316) (C) ϕ40 x 38 (SS316) (D) ϕ49 x 49 (SS316) (E) ϕ38 x 38 (P.P) (F) ϕ38 x 38 (PVDF)</td> </tr> </tbody> </table>	Code	Float Size		(A) ϕ 26 x 26 (P.P) (B) ϕ 28 x 27 (SS316) (C) ϕ 40 x 38 (SS316) (D) ϕ 49 x 49 (SS316) (E) ϕ 38 x 38 (P.P) (F) ϕ 38 x 38 (PVDF)						
Code	Float Size											
	(A) ϕ 26 x 26 (P.P) (B) ϕ 28 x 27 (SS316) (C) ϕ 40 x 38 (SS316) (D) ϕ 49 x 49 (SS316) (E) ϕ 38 x 38 (P.P) (F) ϕ 38 x 38 (PVDF)											
		<table border="1"> <thead> <tr> <th>Code</th> <th>Conduit Connection</th> </tr> </thead> <tbody> <tr> <td>1</td> <td>DIN 43650</td> </tr> <tr> <td>2</td> <td>Universal SV-1</td> </tr> </tbody> </table>	Code	Conduit Connection	1	DIN 43650	2	Universal SV-1				
Code	Conduit Connection											
1	DIN 43650											
2	Universal SV-1											
		<table border="1"> <thead> <tr> <th>Code</th> <th>Total Insertion Length</th> </tr> </thead> <tbody> <tr> <td></td> <td>L= _____mm</td> </tr> </tbody> </table>	Code	Total Insertion Length		L= _____mm						
Code	Total Insertion Length											
	L= _____mm											
		<table border="1"> <thead> <tr> <th>Code</th> <th>Setting Point & Switch Acting Functions</th> </tr> </thead> <tbody> <tr> <td></td> <td>Please fill in the requested length and float rised↑ON or fall down↓ON L1= _____mm L2= _____mm</td> </tr> </tbody> </table>	Code	Setting Point & Switch Acting Functions		Please fill in the requested length and float rised↑ON or fall down↓ON L1= _____mm L2= _____mm						
Code	Setting Point & Switch Acting Functions											
	Please fill in the requested length and float rised↑ON or fall down↓ON L1= _____mm L2= _____mm											
SLS		Complete Ordering Code										